



**POLICON**  
*Engineering & Manufacturing*

***Tensometric weigher  
for measuring weight on a  
moving conveyor (Model VTT)***

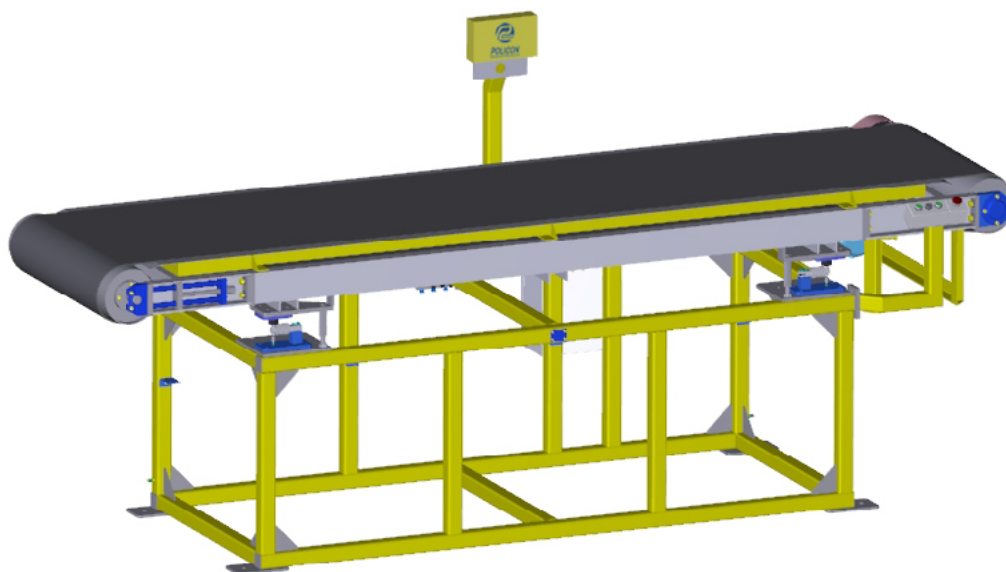
## ***Tensometric weigher for measuring weight on a moving conveyor (Model VTT)***

Tensometric weigher for measuring weight on a moving conveyor designed for weighing rubbers and the masterbatch sheet in the preparatory production of tire, cable factories and rubber technical factories.

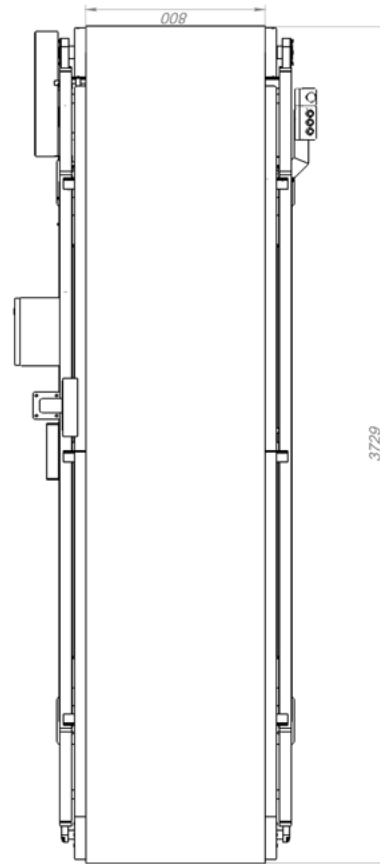
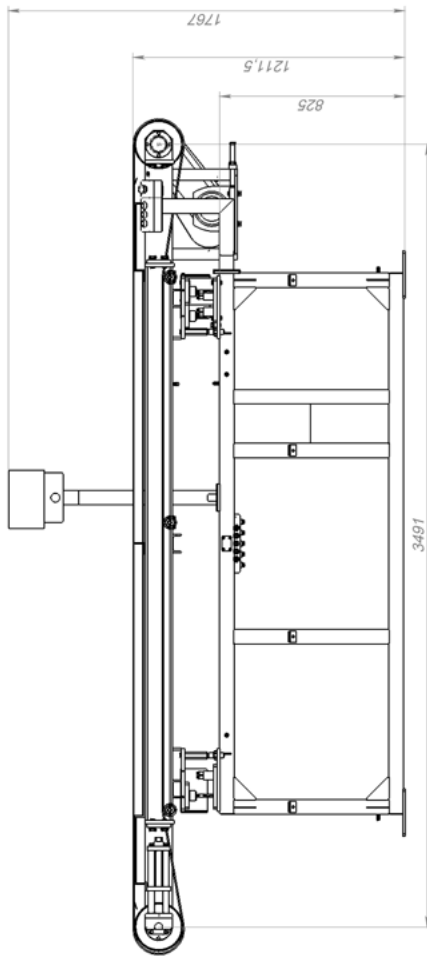
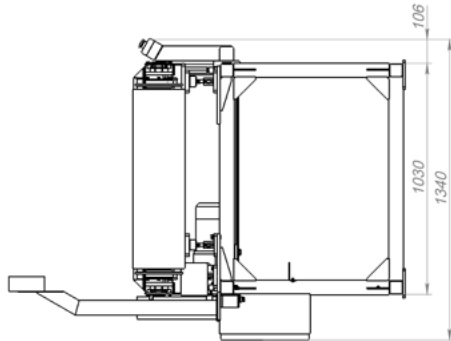


### **Features:**

- The weight conveyor is driven by a motor drum
- Conveyor speed regulation is performed by frequency converter
- Weighing is performed by weight sensors of the company «HBM».



# Tensometric weigher for measuring weight on a moving conveyor (Model VTT)



# *Tensometric weigher for measuring weight on a moving conveyor (Model VTT)*

## **Technical Specification:**

Parameter name:	VTT200-4500	VTT200-2300	VTT200-3500
Type of weigher .....	stationary, transport, tensometric		
Payload .....	200	200	250
Weighing accuracy .....	0,4% of the upper limit of weighing		
Operating temperature range, ° C.....	from 0 to + 50		
Number of weight sensors, PCs.....	4		
Power supply:			
voltage, V .....	220 / 380		
frequency, Hz .....	50		
Electric motor power, kW .....	1,5		
The width of the conveyor belt, mm .....	800		
The distance between the axes of the drums, mm, no more .....	4 500	2 300	3 500
Overall dimensions, mm, no more:			
length .....	4 840	2 600	3 800
width .....	1 250	1 250	1 250
height .....	900	850	900
Weight, kg, no more .....	1 100	560	720

This product can be manufactured according to the technical specifications of the customer, taking into account its predetermined parameters and features.

**Full cycle engineering services**

**Food Machinery**

**Machinery for tires, rubber, plastics manufacturing**

**Machinery for the chemical and oil and gas industry**

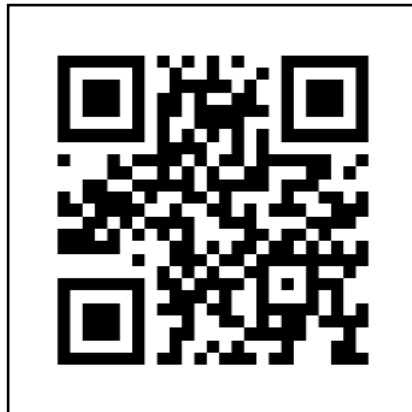
**Machinery for the perfumery and cosmetic industry**

**Modernization and automation of production**

**Non-standart equipment**

**Production of spare parts, components, assemblies**

**Outsourcing services - repair and maintenance of equipment**



**Policon JSCo**

**194 Lermontov Str, Omsk 644009, Russia**

**Tel./Fax: +7 (3812) 36 74 12, 36 74 02, 48 48 30**

**e-mail: [info@policon-rt.ru](mailto:info@policon-rt.ru)**

**[www.policon-rt.ru](http://www.policon-rt.ru)**